

Weigh Module

FEATURES

- Capacities: 50, 100, 125 and 200 kN
- Easy installation
- Moveable load point
- Withstands very high lateral forces
- Extremely accurate and rugged
- ATEX, IECEx and OIML



APPLICATIONS

- Batch/blend/mix systems
- Reactor vessels
- Quality-critical process weighing
- Precision force measurement

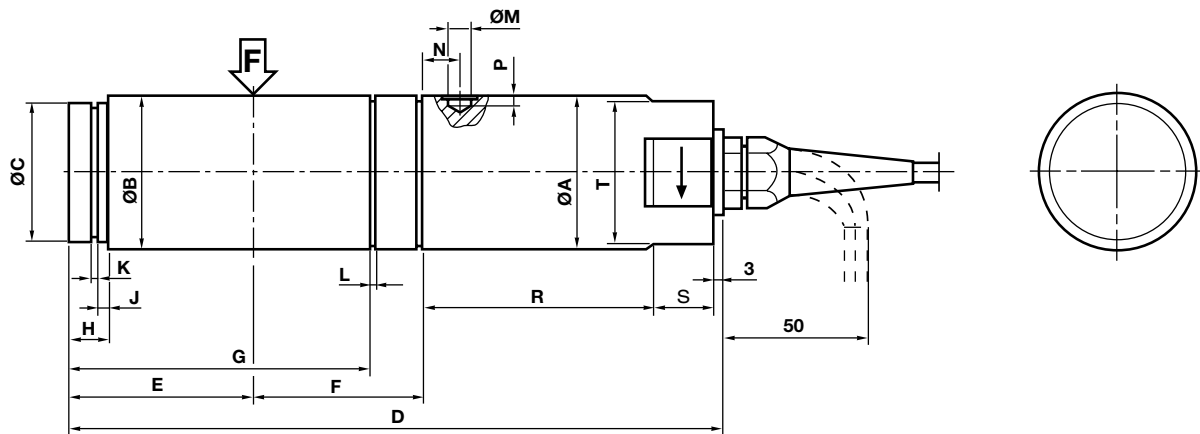
DESCRIPTION

The KIS-11 load cell has several features that clearly distinguish it from other load cells. KIS-11 cells are easy to install and extremely accurate, even when subjected to dynamic process forces and severe environmental conditions.

All KIS load cells can be ATEX and IECEx certified for use in explosive atmospheres.



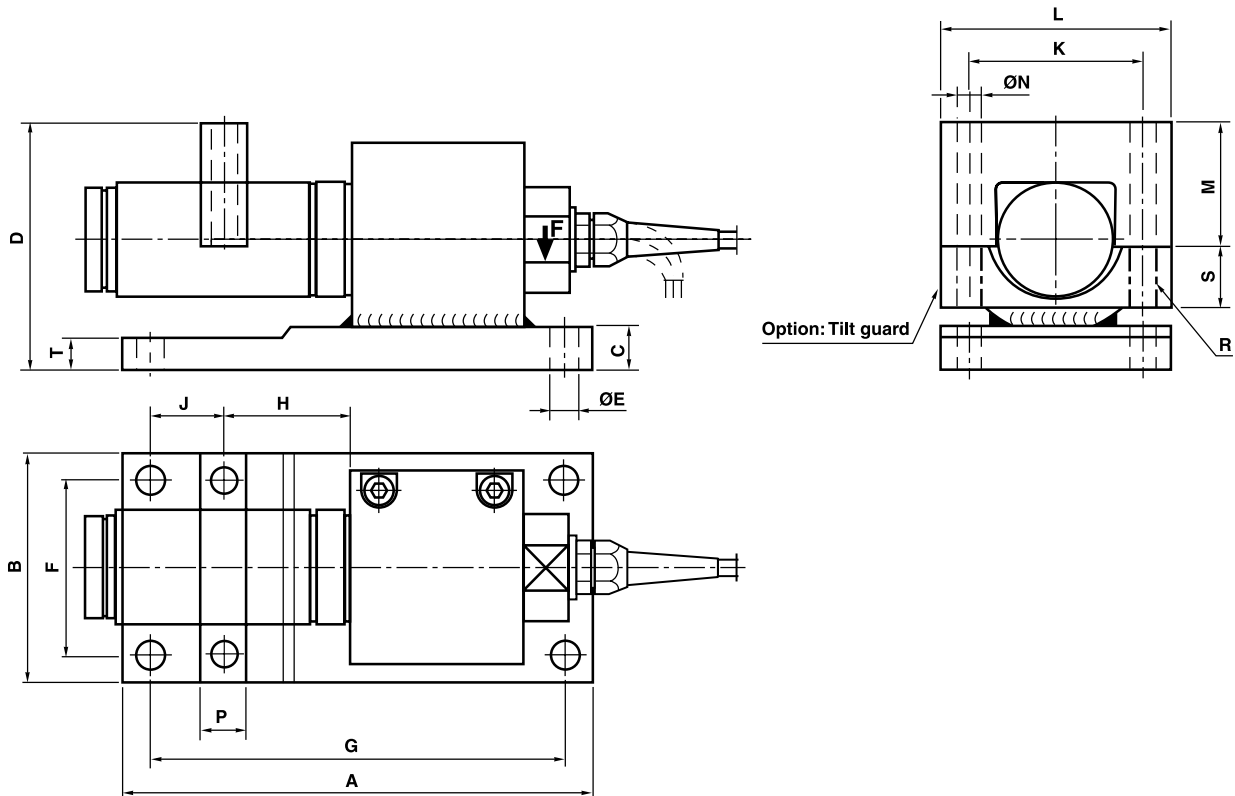
OUTLINE DIMENSIONS IN MM



RANGE kN	ØA	ØB	ØC	D	E	F	G	H	J	K	L	ØM	N	P	R	S	T
50	77	75	70	291	93	65	141.3	12	5	2.65	2.65	9.1	14	7	110	20	60
100	92	90	82	315	107	65	155.4	15	6	2.65	3.15	12.6	17	8	120	20	70
125	92	90	82	315	107	65	155.4	15	6	2.65	3.15	12.6	17	8	120	20	70
200	101	100	90	343	130	65	175.8	15	6	3.15	3.15	15.7	17	8.5	128	20	80

Weigh Module

OUTLINE DIMENSIONS IN MM Cont.



RANGE kN	A	B	C	D	ØE	F	G	H	J	K	L	M	ØN	P	T	R	S
50	280	150	30	152	16	115	245	65	45.5	115	150	72	18	30	30	M16	43
100	310	170	40	173	22	130	270	65	63	126	160	85	22	40	26	M20	50
125	310	170	40	173	22	130	270	65	63	126	160	85	22	40	26	M20	50
200	340	180	50	199	25	140	300	65	71	146	190	95	25	49	32	M24	57

Weigh Module

SPECIFICATIONS	
PARAMETER	VALUE
PERFORMANCE	
Rated load (RL)	50, 100, 125, 200 kN
Combined error (terminal)	±0.02% RO
Repeatability	0.01% RO
Safe load*	200% RL
Ultimate load*	300% RL
Safe sideload*	100% RL
Ultimate sideload*	200% RL
Input voltage, recommended	10 VDC or VAC
Input voltage, maximum	18 VDC or VAC
Input resistance	350 Ω ±3 Ω
Output resistance	350 Ω ±0.5 Ω
Rated output (RO)	1.020 mV/V
Tolerance of RO	±0.1% RO
Zero balance	±1% RO
Tolerance of shunt calibration values	±0.1% of value; actual output defined on unit calibration sheet
Creep at RL after 30 minutes	±0.04% RL
Temperature range	-40 to +80°C -40 to +100°C on demand
Temperature effect, on output (-10°C to +50°C)	±0.0010% of output/°C
Temperature effect, on zero balance (-10°C to +50°C)	±0.0014% of RO/°C
Insulation resistance at 200 VDC	>4 GΩ
Material: load cell	Stainless steel
Material: bracket and yoke	Yellow chromate steel, stainless steel as an option
Electrical connection	10 m shielded four conductor cable
Degree of protection	IP67
APPROVALS	
ATEX and IECEx certified versions are available upon request. For details contact blhnobel@vpgsensors.com.	

* Referring to recommended loading point

BLH Nobel is continually seeking to improve product quality and performance. Specifications may change accordingly.

Disclaimer

ALL PRODUCTS, PRODUCT SPECIFICATIONS AND DATA ARE SUBJECT TO CHANGE WITHOUT NOTICE.

Vishay Precision Group, Inc., its affiliates, agents, and employees, and all persons acting on its or their behalf (collectively, "VPG"), disclaim any and all liability for any errors, inaccuracies or incompleteness contained herein or in any other disclosure relating to any product.

The product specifications do not expand or otherwise modify VPG's terms and conditions of purchase, including but not limited to, the warranty expressed therein.

VPG makes no warranty, representation or guarantee other than as set forth in the terms and conditions of purchase. **To the maximum extent permitted by applicable law, VPG disclaims (i) any and all liability arising out of the application or use of any product, (ii) any and all liability, including without limitation special, consequential or incidental damages, and (iii) any and all implied warranties, including warranties of fitness for particular purpose, non-infringement and merchantability.**

Information provided in datasheets and/or specifications may vary from actual results in different applications and performance may vary over time. Statements regarding the suitability of products for certain types of applications are based on VPG's knowledge of typical requirements that are often placed on VPG products. It is the customer's responsibility to validate that a particular product with the properties described in the product specification is suitable for use in a particular application. You should ensure you have the current version of the relevant information by contacting VPG prior to performing installation or use of the product, such as on our website at vpgsensors.com.

No license, express, implied, or otherwise, to any intellectual property rights is granted by this document, or by any conduct of VPG.

The products shown herein are not designed for use in life-saving or life-sustaining applications unless otherwise expressly indicated. Customers using or selling VPG products not expressly indicated for use in such applications do so entirely at their own risk and agree to fully indemnify VPG for any damages arising or resulting from such use or sale. Please contact authorized VPG personnel to obtain written terms and conditions regarding products designed for such applications.

Product names and markings noted herein may be trademarks of their respective owners.

Copyright Vishay Precision Group, Inc., 2014. All rights reserved.