

Load Cell Weigh Module

FEATURES

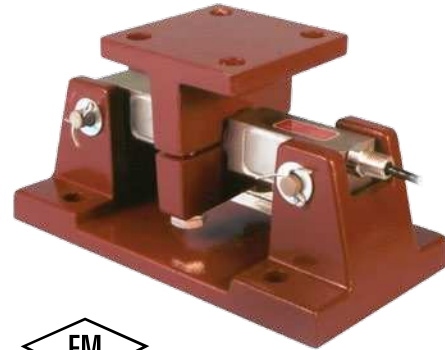
- Capacity range: 10K, 15K, 25K, 35K, 50K, and 75K lb (4.5K, 6.8K, 11.3K, 15.8K, 22.7K, and 34K kg)
- Self-checking design allows for thermal expansion
- Conduit adapter available (stainless steel modules) ideally suited for applications with high deadload-to-liveload ratios
- Electroless nickel-plated load beam standard, welded stainless-steel load beam available
- Sealed to IP67 standards
- FM approved

APPLICATIONS

- Storage tank, bin, and hopper weighing
- Silo and inventory measurement systems
- Loss-in-weight feeders

DESCRIPTION

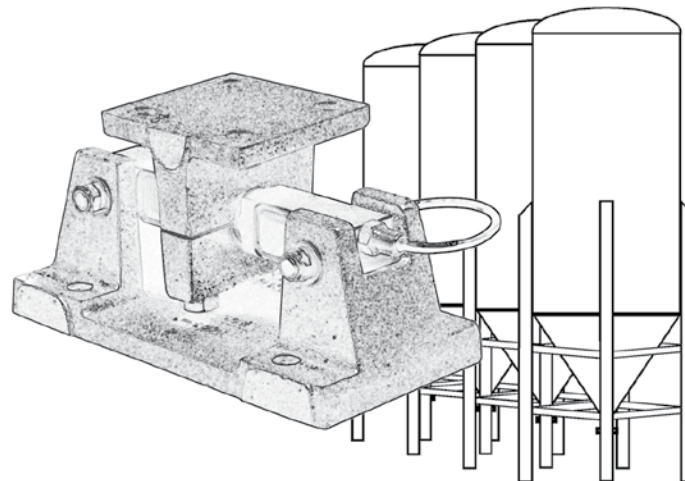
PRO-Mount Weigh Modules are specifically engineered to meet the requirements of inventory and ingredient management weighing applications. Checkless design (no stay or check rods), low profile, and uniform bolt spacing simplify installation on new and existing vessels. An integral expansion assembly and temperature compensated full bridge transducer design, minimize temperature effects allowing accurate measurement indoors or out, in virtually any environment.



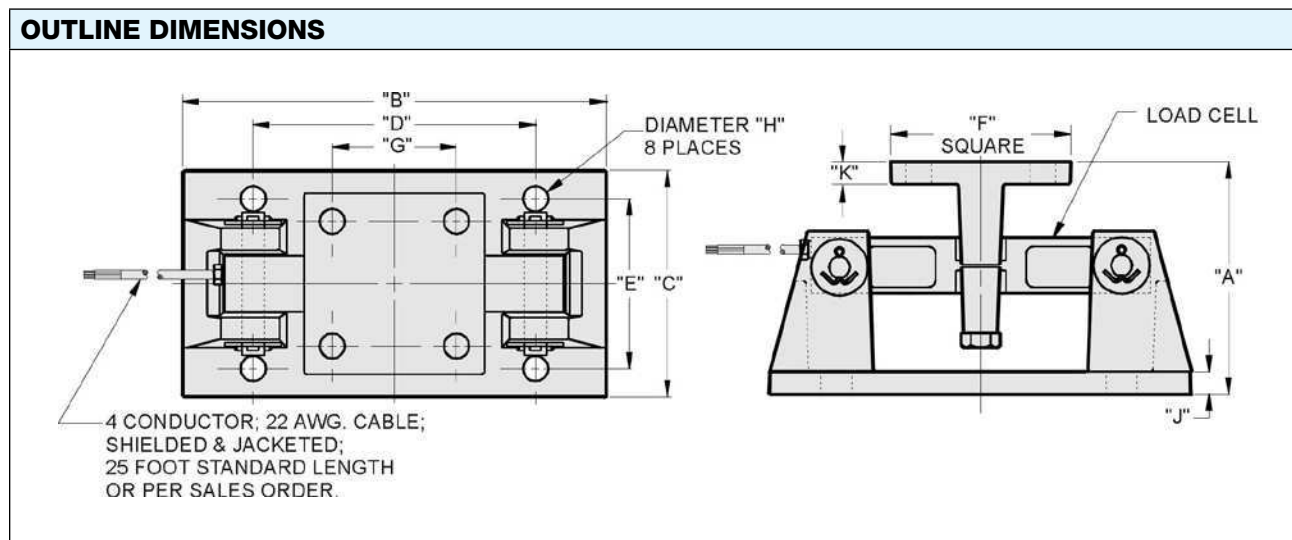
Optional stainless steel, welded units are available for caustic or washdown environments. Stainless steel units also have an integral conduit adapter.

PRO-Mount design considerations ensure an efficient balance between performance as a transducer and strength as a structural member when earthquake risk or wind resistance is a system factor. Sideloads of up to 100% full scale capacity, caused by vibration or other extraneous forces, virtually have no effect on weight measurement.

CONFIGURATION



Load Cell Weigh Module



PARAMETER		VALUE	PARAMETER		VALUE
PERFORMANCE					
Capacities	10K, 15K, 25K, 35K, 50K, and 75K lb (4.5K, 6.8K, 11.3K, 15.8K, 22.7K, and 34K kg)				
Rated output (RO)	3.0 mV/V ±0.25%				
Repeatability	0.01% RO				
Combined error	0.03% RO				
Zero balance	1.0% RO				
Creep (20 minutes)	0.03% RO				
Temperature effects on zero balance	0.0015% RO/°F				
Temperature effects on span	0.0008% Load/°F				
ELECTRICAL					
Recommended excitation	10 VDC (15 VDC max.)				
Input resistance	686–714 Ω				
Output resistance	699–707 Ω				
Cable length	25-ft cable with 4-wire polyurethane jacket				
TEMPERATURE					
Safe range	–0 to 150°F				
Compensated range	+14 to 104°F				
ADVERSE LOAD RATINGS					
Safe load	150% rated capacity				
Safe sideload	100% rated capacity				
Ultimate load	300% rated capacity				
MATERIAL					
Beam (standard)	Tool steel, electroless nickel plated				
Beam (option)	17-4 PH stainless steel				
Mounting hardware (standard)	cast steel, zinc plated				
Mounting hardware (option)	stainless steel				
SEALING					
Environmental class	IP67 plated				
DEFLECTION					
10K–25K lb	0.022 in				
35K lb	0.038 in				
50K lb	0.052 in				
75K lb	0.070 in				

BLH Nobel is continually seeking to improve product quality and performance. Specifications may change accordingly.



Disclaimer

ALL PRODUCTS, PRODUCT SPECIFICATIONS AND DATA ARE SUBJECT TO CHANGE WITHOUT NOTICE.

Vishay Precision Group, Inc., its affiliates, agents, and employees, and all persons acting on its or their behalf (collectively, "VPG"), disclaim any and all liability for any errors, inaccuracies or incompleteness contained herein or in any other disclosure relating to any product.

The product specifications do not expand or otherwise modify VPG's terms and conditions of purchase, including but not limited to, the warranty expressed therein.

VPG makes no warranty, representation or guarantee other than as set forth in the terms and conditions of purchase. **To the maximum extent permitted by applicable law, VPG disclaims (i) any and all liability arising out of the application or use of any product, (ii) any and all liability, including without limitation special, consequential or incidental damages, and (iii) any and all implied warranties, including warranties of fitness for particular purpose, non-infringement and merchantability.**

Information provided in datasheets and/or specifications may vary from actual results in different applications and performance may vary over time. Statements regarding the suitability of products for certain types of applications are based on VPG's knowledge of typical requirements that are often placed on VPG products. It is the customer's responsibility to validate that a particular product with the properties described in the product specification is suitable for use in a particular application. You should ensure you have the current version of the relevant information by contacting VPG prior to performing installation or use of the product, such as on our website at vpgsensors.com.

No license, express, implied, or otherwise, to any intellectual property rights is granted by this document, or by any conduct of VPG.

The products shown herein are not designed for use in life-saving or life-sustaining applications unless otherwise expressly indicated. Customers using or selling VPG products not expressly indicated for use in such applications do so entirely at their own risk and agree to fully indemnify VPG for any damages arising or resulting from such use or sale. Please contact authorized VPG personnel to obtain written terms and conditions regarding products designed for such applications.

Product names and markings noted herein may be trademarks of their respective owners.

Copyright Vishay Precision Group, Inc., 2014. All rights reserved.