

Force Measurement Transducer

FEATURES

- Simple bolt-on installation
- No mill stand alterations required
- Accuracy: $\pm 0.85\%$ of full scale output
- Repeatability: 0.5% of full scale output
- No damage results from accidental mill overload

APPLICATIONS

- Rolling mills
- Overload safety systems

DESCRIPTION

Extensometers govern the accuracy of the Roll Force Measurement System. Although similar in operating principal to a load cell, an extensometer is calibrated in strain (or stretch) instead of load. Actually, where maximum roll force may vary considerably from mill to mill, post strain remains within a range of 33 to 130 microinches per inch. Extensometers are designed for optimum performance over this range.

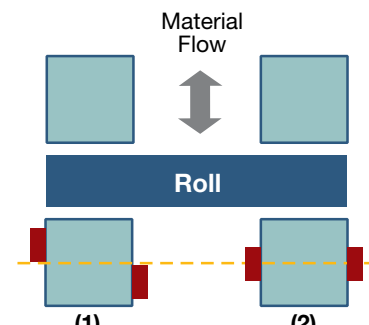
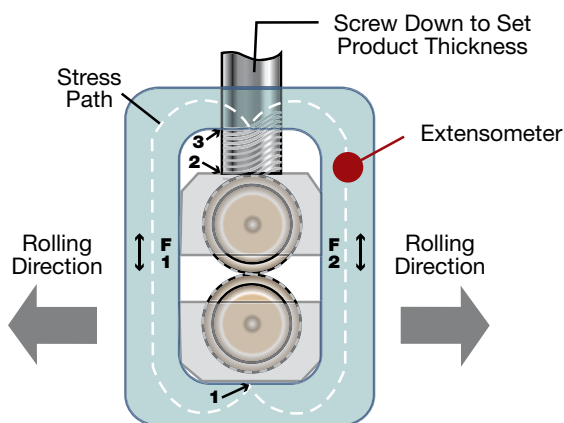
Installing extensometers on both the work and drive sides of the mill enables the user to achieve a balanced force at all times.



With extensometers installed, the mill posts become an active part of the measuring system. The entire mill housing with the attached extensometer can be considered a "load cell".

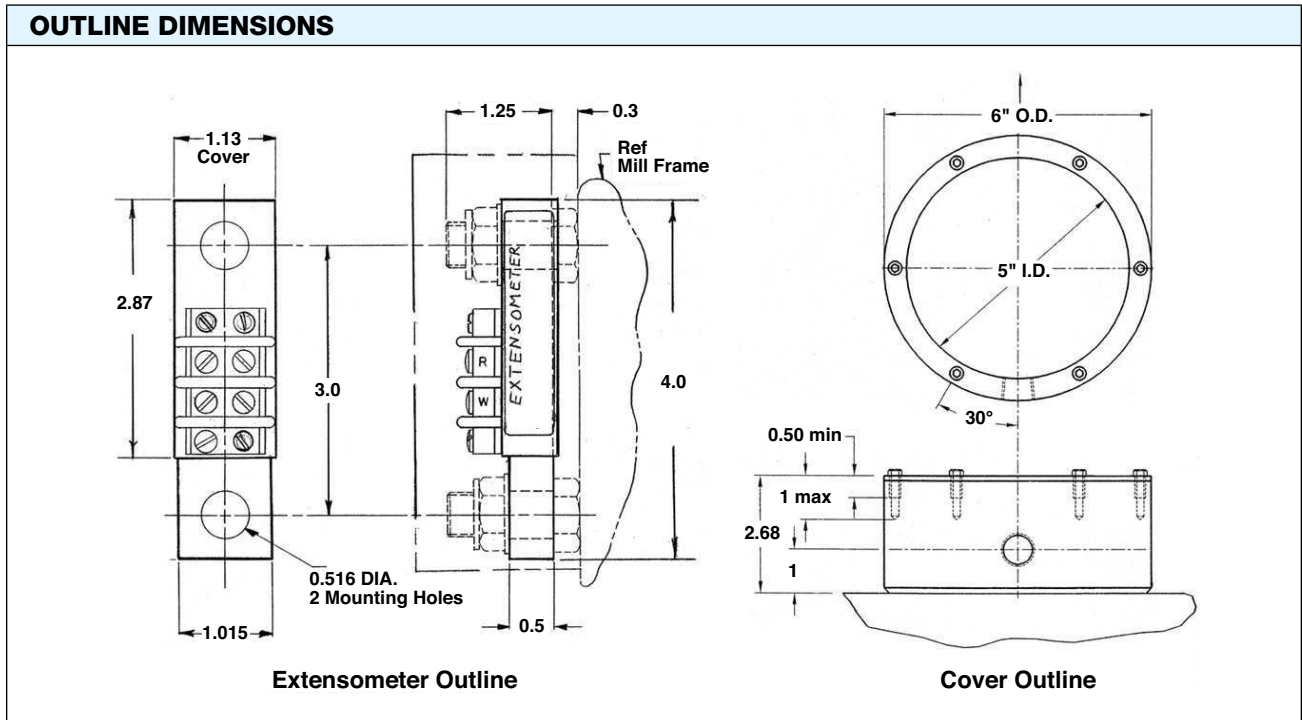
For additional system information, please refer to the G4 and RFS4 datasheets.

CONFIGURATION



Permissible locations of extensometers
(1) Offset an equal but opposite amount from post centerline
(2) On the centerline

Force Measurement Transducer



SPECIFICATIONS		SPECIFICATIONS	
PARAMETER	VALUE	PARAMETER	VALUE
PERFORMANCE		STRAIN BRIDGE	
Accuracy ¹	<±0.85% of FSO	Input resistance	525 Ω ±125 Ω
Nonlinearity	<±0.25% of FSO	Output resistance	350 Ω ±50 Ω
Hysteresis	<±0.40% of FSO	Insulation resistance	5000 MΩ
Repeatability	±0.5% of FSO	Excitation	10 VDC
Calibrated output	8 mV/V ±0.5% = 66.6 μm/m (microstrain)	Thermal effects (24°C to 65°C; 75°F to 150°F)	
OVERLOAD CAPABILITY		Zero ³	±0.055%/°C (±0.03%/°F) of FSO
Zero ²	300% of FSO (24 mV/V)	Rated output	±0.011%/°C (±0.006%/°F) of reading
Maximum	550% of FSO (44 mV/V)	Operating temperature range	-17°C to 121°C (1°F to 250°F)

¹ Accuracy is the Root Sum of the squares of nonlinearity, hysteresis, repeatability and span.

² Cancelled by the instrument Zero Adjust capability.

³ The autozero capability of the instrument cancels any thermal zero shift.

BLH Nobel is continually seeking to improve product quality and performance. Specifications may change accordingly.

Disclaimer

ALL PRODUCTS, PRODUCT SPECIFICATIONS AND DATA ARE SUBJECT TO CHANGE WITHOUT NOTICE.

Vishay Precision Group, Inc., its affiliates, agents, and employees, and all persons acting on its or their behalf (collectively, "VPG"), disclaim any and all liability for any errors, inaccuracies or incompleteness contained herein or in any other disclosure relating to any product.

The product specifications do not expand or otherwise modify VPG's terms and conditions of purchase, including but not limited to, the warranty expressed therein.

VPG makes no warranty, representation or guarantee other than as set forth in the terms and conditions of purchase. **To the maximum extent permitted by applicable law, VPG disclaims (i) any and all liability arising out of the application or use of any product, (ii) any and all liability, including without limitation special, consequential or incidental damages, and (iii) any and all implied warranties, including warranties of fitness for particular purpose, non-infringement and merchantability.**

Information provided in datasheets and/or specifications may vary from actual results in different applications and performance may vary over time. Statements regarding the suitability of products for certain types of applications are based on VPG's knowledge of typical requirements that are often placed on VPG products. It is the customer's responsibility to validate that a particular product with the properties described in the product specification is suitable for use in a particular application. You should ensure you have the current version of the relevant information by contacting VPG prior to performing installation or use of the product, such as on our website at vpgsensors.com.

No license, express, implied, or otherwise, to any intellectual property rights is granted by this document, or by any conduct of VPG.

The products shown herein are not designed for use in life-saving or life-sustaining applications unless otherwise expressly indicated. Customers using or selling VPG products not expressly indicated for use in such applications do so entirely at their own risk and agree to fully indemnify VPG for any damages arising or resulting from such use or sale. Please contact authorized VPG personnel to obtain written terms and conditions regarding products designed for such applications.

Product names and markings noted herein may be trademarks of their respective owners.

Copyright Vishay Precision Group, Inc., 2014. All rights reserved.