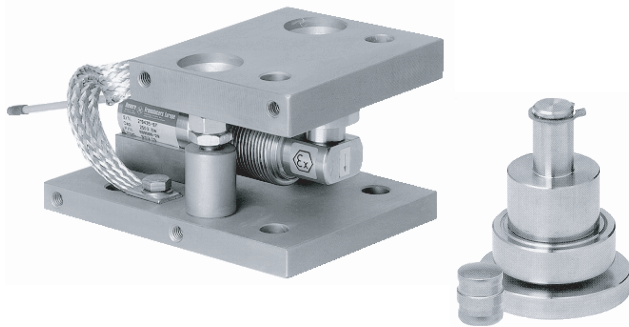


9102 Self Aligning Mounts



FEATURES

- Capacities: 200 - 2500lbs
- Hardened components at all bearing surfaces
- Rocker pin load introduction
- Built in horizontal movement control and lift-off protection
- Load cell (re)placement after installation of the mount

OPTIONAL FEATURES

- Stainless steel or Nickel plated steel versions available
- Optional stay rod assembly

DESCRIPTION

The 9102 self aligning silo mount, combined with the 9102 load cell family, provides high accuracy weighing assemblies suitable for process control, batch weighing, silo/hopper and belt scale applications.

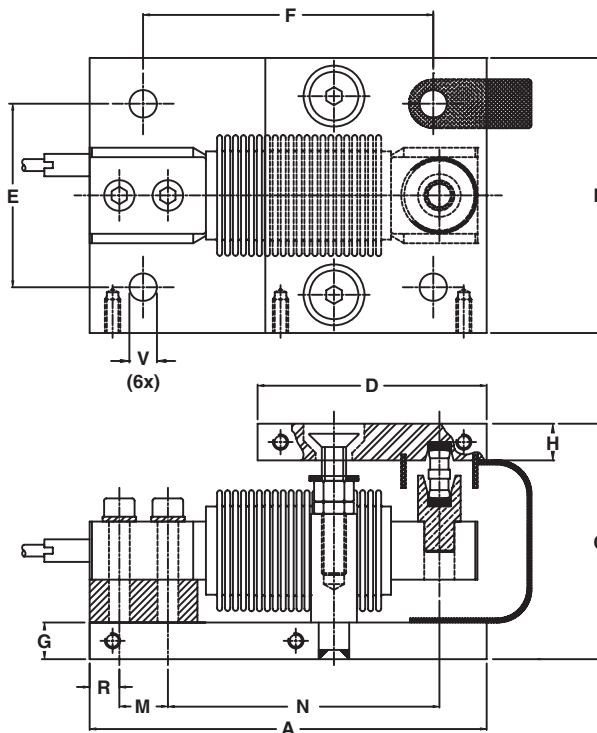
The 9102 foot assembly is an ideal solution for medium capacity belt, pallet and platform scales.

The 9102 mount and foot are based on a rocker pin design, combining excellent load introduction to the transducer with an overall low profile. Hardened components are used at all load bearing surfaces. The stainless steel construction guarantees long term reliability, even in the most harsh of environments.

APPLICATIONS

- Process control
- Batch weighing
- Silo/hopper weighing
- Belt scale weighing

OUTLINE DIMENSIONS in mm

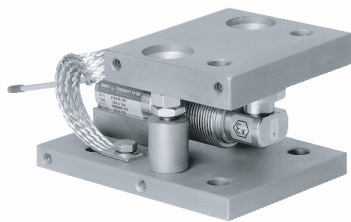


Capacity	50 - 200lbs	500 - 2500lbs
A	130	160
B	90	120
C	77	90
D	75	100
E	60	80
F	95	100
G	12	15
H	12	20
R	9.7	25.8
M	15.9	25.4
N	88.9	82.6
V	Ø9	Ø14

ACCESSORIES

Self Aligning Mount

The 9102 mount permits controlled horizontal movement in all directions. The design allows the load cell to be (re)placed after installation of the mount. The critical load introduction area is mechanically protected.



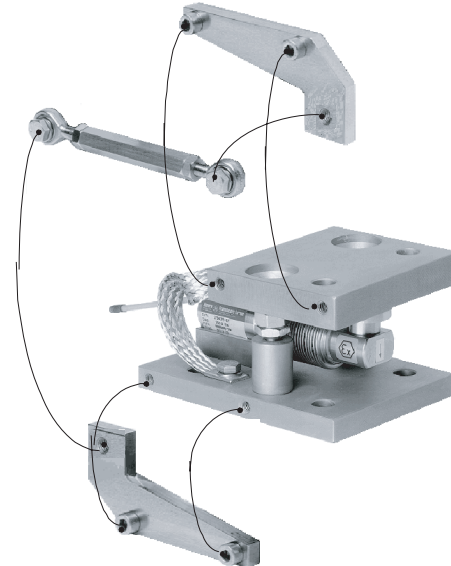
Height Adjustable Foot

The stainless steel foot, which has 5mm of height adjustment, provides excellent load introduction to the load cell. The foot allows flexibility in platform design without compromising overall system performance.



Stay Rod Assembly

If major load movement is anticipated stay rods should be used to restrain a platform or vessel. The 9102 stay rod assembly can be bolted to the mount prior to, or after its installation.



FURTHER INFORMATION		Height, LC + assembly (50 200)		Height, LC + assembly (500/1000)		Height, LC + assembly (2500)	
		Stainless steel	Nickel plated	Stainless steel	Nickel plated	Stainless steel	Nickel plated
Self Aligning Mount	mm	77		90		90	
Height Adj. Foot	mm	64+5		74+5		74+5	
Mount / Foot		Outline drawing (50 200)		Outline drawing (500/1000)		Outline drawing (2500)	
		Stainless steel	Nickel plated	Stainless steel	Nickel plated	Stainless steel	Nickel plated
Self Aligning Mount		499049-10	499049-00	499052-10	499052-00	499053-10	499053-00
Stay Rod Assembly		499061-10	499061-00	499068-10	499068-00	499068-10	499068-00
Height Adj. Foot		499071		499072		499073	
Mount Assembly guidelines		AG 10/06-106/02		AG 10/06-107/02			
Stay Rod Assembly guidelines		AG 09/06-202/02		AG 10/06-200/02			

Disclaimer

ALL PRODUCTS, PRODUCT SPECIFICATIONS AND DATA ARE SUBJECT TO CHANGE WITHOUT NOTICE.

Vishay Precision Group, Inc., its affiliates, agents, and employees, and all persons acting on its or their behalf (collectively, "Vishay Precision Group"), disclaim any and all liability for any errors, inaccuracies or incompleteness contained herein or in any other disclosure relating to any product.

The product specifications do not expand or otherwise modify Vishay Precision Group's terms and conditions of purchase, including but not limited to, the warranty expressed therein.

Vishay Precision Group makes no warranty, representation or guarantee other than as set forth in the terms and conditions of purchase. **To the maximum extent permitted by applicable law, Vishay Precision Group disclaims (i) any and all liability arising out of the application or use of any product, (ii) any and all liability, including without limitation special, consequential or incidental damages, and (iii) any and all implied warranties, including warranties of fitness for particular purpose, non-infringement and merchantability.**

Information provided in datasheets and/or specifications may vary from actual results in different applications and performance may vary over time. Statements regarding the suitability of products for certain types of applications are based on Vishay Precision Group's knowledge of typical requirements that are often placed on Vishay Precision Group products. It is the customer's responsibility to validate that a particular product with the properties described in the product specification is suitable for use in a particular application.

No license, express, implied, or otherwise, to any intellectual property rights is granted by this document, or by any conduct of Vishay Precision Group.

The products shown herein are not designed for use in life-saving or life-sustaining applications unless otherwise expressly indicated. Customers using or selling Vishay Precision Group products not expressly indicated for use in such applications do so entirely at their own risk and agree to fully indemnify Vishay Precision Group for any damages arising or resulting from such use or sale. Please contact authorized Vishay Precision Group personnel to obtain written terms and conditions regarding products designed for such applications.

Product names and markings noted herein may be trademarks of their respective owners.