

LMP 308

Detachable Stainless Steel Probe

Stainless Steel Sensor

accuracy according to EN IEC 62828-2:
standard: 0.35 % span
option: 0.25 % span



Nominal pressure

from 0 ... 1 mH₂O up to 0 ... 250 mH₂O

Output signals

2-wire: 4 ... 20 mA, others on request

Special characteristics

- ▶ diameter 35 mm
- ▶ cable and sensor section detachable
- ▶ excellent accuracy
- ▶ excellent long term stability

Optional versions

- ▶ IS-version Ex ia= intrinsically safety for gas and dust
- ▶ SIL 2 (Safety Integrity Level)
- ▶ customer specific version
- ▶ mounting accessories as cable gland and terminal clamp of stainless steel
- ▶ different kinds of cables
- ▶ different kinds of seal materials
- ▶ mounting accessories e.g. mounting flange and terminal clamp in stainless steel

The detachable stainless steel probe LMP 308 is designed for the continually level measurement of water and thin fluids.

In order to facilitate stock-keeping and maintenance the transmitter head is plugged to the cable assembly with a connector and can be changed easily.

Preferred areas of use are

Water / filtrated sewage



- ground water level measurement
- level measurement in wells and open waters
- rain spillway basin
- level measurement in container
- water treatment plants
- water recycling



LMP 308

Stainless Steel Probe

Technical Data

Input pressure range														
Nominal pressure gauge	[bar]	0.10	0.16	0.25	0.40	0.60	1	1.6	2.5	4	6	10	16	25
Level	[mH ₂ O]	1	1.6	2.5	4	6	10	16	25	40	60	100	160	250
Overpressure	[bar]	0.5	1	1	2	5	5	10	10	20	40	40	80	80
Burst pressure	[bar]	1.5	1.5	1.5	3	7.5	7.5	15	15	25	50	50	120	120
max. ambient pressure (housing)		40 bar												
Output signal / Supply														
Standard		2-wire: 4 ... 20 mA / V _S = 8 ... 32 V _{DC}						SIL-version: V _S = 14 ... 28 V _{DC}						
Option IS-protection		2-wire: 4 ... 20 mA / V _S = 10 ... 28 V _{DC}						SIL-version: V _S = 14 ... 28 V _{DC}						
Performance														
Accuracy ¹		standard: nominal pressure < 0.4 bar: ≤ ± 0.5 % span						nominal pressure ≥ 0.4 bar: ≤ ± 0.35 % span						
		option 1: nominal pressure ≥ 0.4 bar: ≤ ± 0.25 % span												
Permissible load		R _{max} = [(V _S - V _{S min}) / 0.02 A] Ω												
Influence effects		supply: 0.05 % span / 10 V						load: 0.05 % span / kΩ						
Long term stability		≤ ± 0.1 % span / year												
Response time		≤ 10 msec												
¹ accuracy according to EN IEC 62828-2 – limit point adjustment (non-linearity, hysteresis, repeatability)														
Thermal effects (Offset and Span)														
Nominal pressure P _N	[bar]	< 0.40						≥ 0.40						
Tolerance band	[% span]	≤ ± 1						≤ ± 0.75						
in compensated range	[°C]	0 ... 70												
Permissible temperatures														
Permissible temperatures		Medium/ electronics/ environment/ storage: -20 ... 80 °C *												
<i>*If the cable is intended for use in a smaller temperature range, the use of the probe is limited by this range.</i>														
Electrical protection ²														
Short-circuit protection		permanent												
Reverse polarity protection		no damage, but also no function												
Lightning protection		integrated												
Electromagnetic compatibility		emission and immunity according to EN 61326												
² additional external overvoltage protection unit in terminal box KL 1 or KL 2 with atmospheric pressure reference available on request														
Electrical connection														
Cable with sheath material ³		PVC	(-5 ... 70 °C)	grey	(-25 ... 70 °C in fixed condition)			Ø 7,4 mm						
		PUR	(-25 ... 80 °C)	black	(with drinking water certificate)			Ø 7,4 mm						
		FEP ⁴	(-25 ... 75 °C)	black				Ø 7,4 mm						
³ cable with integrated air tube for atmospheric pressure reference														
⁴ do not use freely suspended probes with an FEP cable if effects due to highly charging processes are expected														
Materials (media wetted)														
Housing		stainless steel 1.4404 (316L)												
Seals		FKM EPDM others on request												
Diaphragm		stainless steel 1.4435 (316L)												
Protection cap		POM-C												
Cable sheath		PVC, PUR, FEP, others on request												
Explosion protection														
Approvals		IBExU10ATEX1122 X												
DX9-LMP 308		zone 0: II 1G Ex ia IIC T4 Ga						zone 20: II 1D Ex ia IIIC T135°C Da						
Safety technical maximum values		U _i = 28 V, I _i = 93 mA, P _i = 660 mW, C _i ≈ 0nF, L _i ≈ 0μH, the supply connections have an inner capacity of max. 27 nF to the housing												
Ambient temperature range		in zone 0: -20 ... 60 °C with p _{atm} 0.8 bar up to 1.1 bar						in zone 1 or higher: -20 ... 70 °C						
Connecting cables (by factory)		cable capacitance: signal line/shield also signal line/signal line: 160 pF/m cable inductance: signal line/shield also signal line/signal line: 1 μH/m												
Miscellaneous														
Option SIL ⁵ 2 application		according to IEC 61508 / IEC 61511												
Current consumption		signal output current: max. 25 mA												
Weight		approx. 250 g (without cable)												
Ingress protection		IP 68												
CE-conformity		EMC Directive: 2014/30/EU												
ATEX Directive		2014/34/EU												
⁵ not in combination with the accuracy 0.1%														

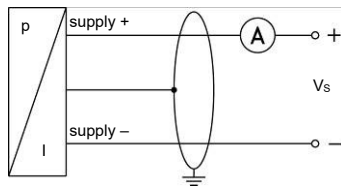
LMP 308

Stainless Steel Probe

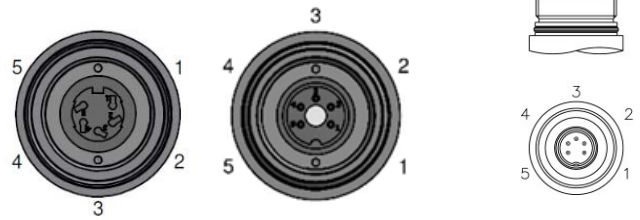
Technical Data

Wiring diagram

2-wire-system (current)



connector



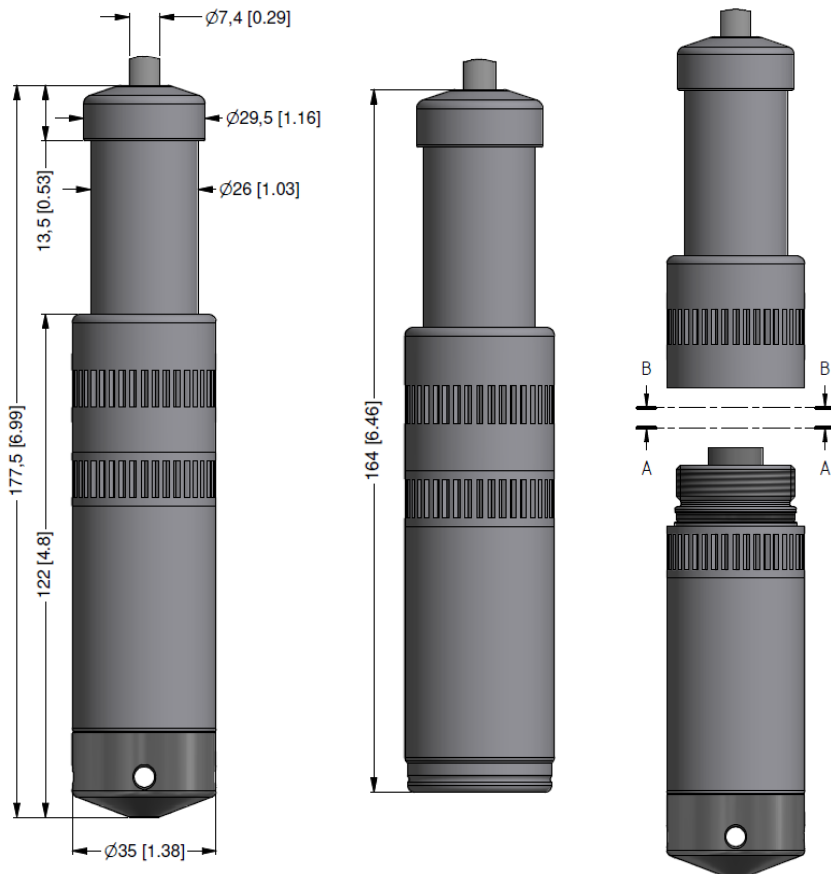
Pin configuration

Electrical connection	Binder series 723 ⁶ (5-pin)	cable colours (DIN 47100)
Supply +	3	wh (white)
Supply -	1	bn (brown)
Shield	5	gn/ye (green / yellow)

⁶ in detached version

Dimensions (mm / in)

standard



protection cap removable

detached version

⇨ Total length of devices with accuracy 0.1 % span IEC 60770 increases by 16 mm!
(standard, Ex-protection and SIL-version)

Mounting flange with cable gland

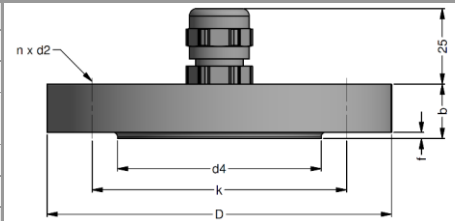
Technical data

Suitable for	all probes
Flange material	stainless steel 1.4404 (316L)
Material of cable gland	standard: brass, nickel plated on request: stainless steel 1.4305 (303); plastic
Seal insert	material: TPE (ingress protection IP 68)
Hole pattern	according to DIN 2507

Version	Size (in mm)	Weight
DN25 / PN40	D = 115, k = 85, b = 18, n = 4, d = 14	1.4 kg
DN50 / PN40	D = 165, k = 125, b = 20, n = 4, d = 18	3.2 kg
DN80 / PN16	D = 200, k = 160, b = 20, n = 8, d = 18	4.8 kg

Ordering type

Ordering type	Ordering code
DN25 / PN40 with cable gland brass, nickel plated	5000275
DN50 / PN40 with cable gland brass, nickel plated	5000278
DN80 / PN16 with cable gland brass, nickel plated	5000279



Terminal clamp

Technical data

Suitable for	all probes with cable \varnothing 5.5 ... 10.5 mm
Material	standard: steel, zinc plated optionally: stainless steel 1.4301 (304)
Weight	approx. 160 g



Ordering type

Ordering type	Ordering code
Terminal clamp, steel, zinc plated	1003440
Terminal clamp, stainless steel 1.4301 (304)	1000278

Display program

CIT 200

Process display with LED display

CIT 250

Process display with LED display and contacts

CIT 300

Process display with LED display, contacts and analogue output

CIT 350

Process display with LED display, bargraph, contacts and analogue output

CIT 400

Process display with LED display, contacts, analogue output and Ex-approval

CIT 600

Multichannel process display with graphics-capable LC display

CIT 650

Multichannel process display with graphics-capable LC display and datalogger

CIT 700

Multichannel process display with graphics-capable TFT monitor, touchscreen and contacts

PA 440

Field display with 4-digit LC display

For further information please contact our sales department or visit our homepage: <http://www.bdsensors.com>



0,-...without additional charge

On request...in accordance with the producer

Surcharges for calibration are not subject to any discounts. Subject to change.

This document contains the specification for ordering the product; detailed technical parameters of the product and its possible variants are given in the data sheet. BD SENSORS reserves the right to change sensor specifications without further notice.

1 cable with integrated ventilation tube for atmospheric pressure reference

2 not in combination with SIL

3 maximum length of PVC cable – 25 m, PUR, FEP, TPE – 40 m

