



Zertifiziertes
QM-System
DIN EN ISO 9001
Zertifikat-Nr. 01017

Sight Glass with Rotor

threaded connection · for liquids



measuring
·
monitoring
·
analysing

DAR-1



- p_{\max} : 40 bar; t_{\max} : 260 °C
- Connection:
G 1/4 ... G 2,
1/4" NPT ... 2" NPT
- Material:
grey cast iron, cast steel,
stainless steel

96



KOBOLD companies worldwide:

AUSTRALIA, AUSTRIA, BELGIUM, BULGARIA, CANADA, CHINA, CZECHIA, FRANCE, GERMANY,
GREAT BRITAIN, HUNGARY, INDIA, INDONESIA, ITALY, MALAYSIA, MEXICO, NETHERLANDS,
PERU, POLAND, REPUBLIC OF KOREA, RUSSIA, SPAIN, SWITZERLAND, THAILAND, TUNISIA,
TURKEY, USA, VIETNAM

KOBOLD Messring GmbH
Nordring 22-24
D-65719 Hofheim/Ts.
Head Office:
+49(0)6192 299-0
+49(0)6192 23398
info.de@kobold.com
www.kobold.com



Sight Glass with Rotor • threaded connection Model DAR-1

Materials/Mounting position

	DAR-11	DAR-13	DAR-12
Rotor	plastic (up to 120 °C); Option 'R' PTFE up to 260 °C (Nominal size 2": PTFE standard)		
Housing*	grey cast iron GG 25 (EN-GJL-250) 0.6025	cast steel GS-C 25 1.0619	stainless steel 1.4408
Cover plates	grey cast iron GG 25 (EN-GJL-250) 0.6025	cast steel GS-C 25 1.0619	stainless steel 1.4408
Sight glass	soda-lime glass DIN 8902 (up to 150 °C) Option: borosilicate glass DIN 7080 (up to 260 °C)		
Screws	zinc plated steel		stainless steel
Sealing	graphite (PTFE or other on request)		
Mounting position	universal		
Operating pressure	16 bar (Option 25 bar or 40 bar for DAR-12... and DAR-13...)		
Flow Speed	max. 2.5 m/s		

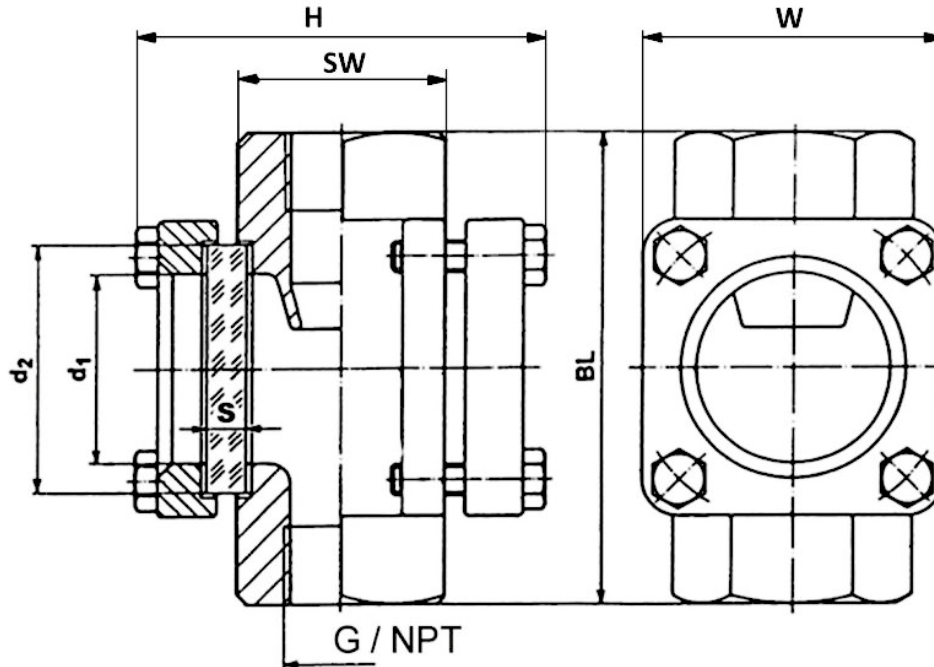
* Up to 1": inlet with half face plate; 1 ¼" to 2": drip tube

Order Details (Example: **DAR-1101H R08**)

Nominal size	DAR-11	DAR-13	DAR-12	Connection		Option
	Soda-lime glass, graphite sealing, plastic rotor			G-thread	NPT-thread*	
¼"	DAR-1101H..	DAR-1301H..	DAR-1201H..	R08	N08	Option 'B' = borosilicate glass, graphite-sealing
⅜"	DAR-1102H..	DAR-1302H..	DAR-1202H..	R10	N10	
½"	DAR-1103H..	DAR-1303H..	DAR-1203H..	R15	N15	Option 'R' = PTFE-Rotor
¾"	DAR-1104H..	DAR-1304H..	DAR-1204H..	R20	N20	
1"	DAR-1105H..	DAR-1305H..	DAR-1205H..	R25	N25	Option 'P' = 25 bar for DAR-12.. and DAR-13..
1 ¼"	DAR-1106H..	DAR-1306H..	DAR-1206H..	R32	N32	
1 ½"	DAR-1107H..	DAR-1307H..	DAR-1207H..	R40	N40	Option 'Q' = 40 bar for DAR-12.. and DAR-13..
2"	DAR-1108H..	DAR-1308H..	DAR-1208H..	R50	N50	

* Not for DAR-11 grey cast iron instruments

Dimensions [mm]



Dimensions (Material grey cast iron) for pressure rating PN 16

G	BL [mm]	H [mm]	SW [mm]	W [mm]	d1 [mm]	d2 [mm]	Glass thickness (S) at PN16 [mm]	Approximate weight DAR-11... [kg]
G ¼ G ⅜ G ½	100	110	36	70	32	45	10	2.2
G ¾ G1	120	120	46	85	45	63	10	3.5
G 1 ¼ G 1 ½	160	155	75	110	65	80	12	7.0
G 2	180	170	80	120	80	100	15	8.6

Dimensions (Material cast steel or stainless steel) for pressure rating PN 16 (PN 25/PN 40 on request)

G	BL [mm]	H [mm]	SW [mm]	W [mm]	d1 [mm]	d2 [mm]	Glass thickness (S) at PN16 [mm]	Approximate weight DAR-12... DAR-13... [kg]
G ¼ G ⅜ G ½	100	110	36	70	32	45	10	2.2
G ¾ G1	120	120	46	85	45	63	10	3.5
G 1 ¼ G 1 ½	160	155	75	110	65	80	12	7.0
G 2	230	180	Ø 90	120	80	100	15	10.2



Sight Glass with Rotor

flanged connection · for liquids



measuring
·
monitoring
·
analysing

DAR-2



- p_{\max} : 40 bar; t_{\max} : 260 °C
- Connection:
DN 15 ... DN 200
ANSI flange on request
- Materials:
grey cast iron, cast steel,
stainless steel

gs



KOBOLD companies worldwide:

AUSTRALIA, AUSTRIA, BELGIUM, BULGARIA, CANADA, CHINA, CZECHIA, FRANCE, GERMANY, GREAT BRITAIN, HUNGARY, INDIA, INDONESIA, ITALY, MALAYSIA, MEXICO, NETHERLANDS, PERU, POLAND, REPUBLIC OF KOREA, RUSSIA, SPAIN, SWITZERLAND, THAILAND, TUNISIA, TURKEY, USA, VIETNAM

KOBOLD Messring GmbH
Nordring 22-24
D-65719 Hofheim/Ts.
Head Office:
+49(0)6192 299-0
+49(0)6192 23398
info.de@kobold.com
www.kobold.com



Materials/Mounting position

	DAR-21	DAR-23	DAR-22
Rotor	up to DN 40: plastic (up to 120 °C); Option 'R' PTFE up to 260 °C / from DN 50: PTFE		
Housing	grey cast iron GG 25 (EN-GJL-250) 0.6025	cast steel GS-C 25 1.0619	stainless steel 1.4408
Cover plates	grey cast iron GG 25/ S235JRG2	cast steel GS-C 25/ S235JRG2	stainless steel 1.4408/1.4301
Sight glass	soda-lime glass DIN 8902 (up to 150 °C); option: borosilicate glass DIN 7080 (up to 280 °C)		
Screws	zinc plated steel		stainless steel
Sealing	graphite (PTFE or others on request)		
Mounting position	universal		
Operating pressure	16 bar (option 25 bar or 40 bar for DAR-22... and DAR-23...)		
Flow Speed	max. 2.5 m/s		

Order Details (Example: **DAR-2201H F15**)

	DAR-21	DAR-23	DAR-22	Connection		Option
	Soda-lime glass, graphite-sealing, plastic rotor			Flange EN 1092-1	ANSI flange (only on request)	
Nominal diameter	Grey cast iron	Cast steel	Stainless steel			Please add option letter to order number
15	DAR-2101H..	DAR-2301H..	DAR-2201H..	F15	A15	Option 'B' = borosilicate glass, graphite-sealing Option 'R' = PTFE-Rotor Option 'P' = 25 bar for DAR-22.. and DAR-23.. Option 'Q' = 40 bar for DAR-22.. and DAR-23...
20	DAR-2102H..	DAR-2302H..	DAR-2202H..	F20	A20	
25	DAR-2103H..	DAR-2303H..	DAR-2203H..	F25	A25	
32	DAR-2104H..	DAR-2304H..	DAR-2204H..	F32	A32	
40	DAR-2105H..	DAR-2305H..	DAR-2205H..	F40	A40	
50	DAR-2106H..	DAR-2306H..	DAR-2206H..	F50	A50	
65	DAR-2107H..	DAR-2307H..	DAR-2207H..	F65	A65	
80	DAR-2108H..	DAR-2308H..	DAR-2208H..	F80	A80	
100	DAR-2109H..	DAR-2309H..	DAR-2209H..	F1H	A1H	
125	DAR-2110H..	DAR-2310H..	DAR-2210H..	F1Z	A1Z	
150*	DAR-2111H..	DAR-2311H..	DAR-2211H..	F1F	A1F	
200*	DAR-2112H..	DAR-2312H..	DAR-2212H..	F2H	A2H	

* With soda-lime glass only PN 10, PN 16 with option 'B' possible

Dimensions for pressure rating PN 16

DN	H [mm]	W [mm]	D [mm]	BL [mm]	d1 [mm]	d2 [mm]	Glass thickness (S) at PN 16 [mm]	Approximate weight [kg]	
								DAR-21..	DAR-22.. DAR-23..
15	95	70	95	130	32	45	10	3.6	3.6
20	95	70	105	150	32	45	10	4.0	4.0
25	115	85	115	160	48	63	10	6.0	6.3
32	115	85	140	180	48	63	10	7.0	7.4
40	135	110	150	200	65	80	12	10.0	10.6
50	160	120	165	230	80	100	15	13.2	14.4
65	185	Ø 175	185	290	80	100	15	22.1	24
80	210	Ø 190	200	310	100	125	20	29.9	31.6
100	250	Ø 210	220	350	125	150	25	38.4	41.7
125	265	Ø 235	250	400	150	175	25	47.0	47.6
150	290	Ø 260	285	480	175	200	25*	59.0	67.6
200	360	Ø 285	340	600	175	200	25*	98.0	118.0

* With soda-lime glass only PN 10, PN 16 with option 'B' possible

