



## Sight Glass with Flap

threaded connection · for liquids



measuring  
·  
monitoring  
·  
analysing

### DAK-1



- $p_{\max}$ : 40 bar;  $t_{\max}$ : 280 °C
- Connection:  
G 1/4 ... G 2, 1/4" NPT ... 2" NPT
- Material:  
grey cast iron, cast steel,  
stainless steel

96



KOBOLD companies worldwide:

AUSTRALIA, AUSTRIA, BELGIUM, BULGARIA, CANADA, CHINA, CZECHIA, FRANCE, GERMANY, GREAT BRITAIN, HUNGARY, INDIA, INDONESIA, ITALY, MALAYSIA, MEXICO, NETHERLANDS, PERU, POLAND, REPUBLIC OF KOREA, RUSSIA, SPAIN, SWITZERLAND, THAILAND, TUNISIA, TURKEY, USA, VIETNAM

KOBOLD Messring GmbH  
Nordring 22-24  
D-65719 Hofheim/Ts.  
Head Office:  
+49(0)6192 299-0  
+49(0)6192 23398  
info.de@kobold.com  
www.kobold.com



**Materials/Mounting position**

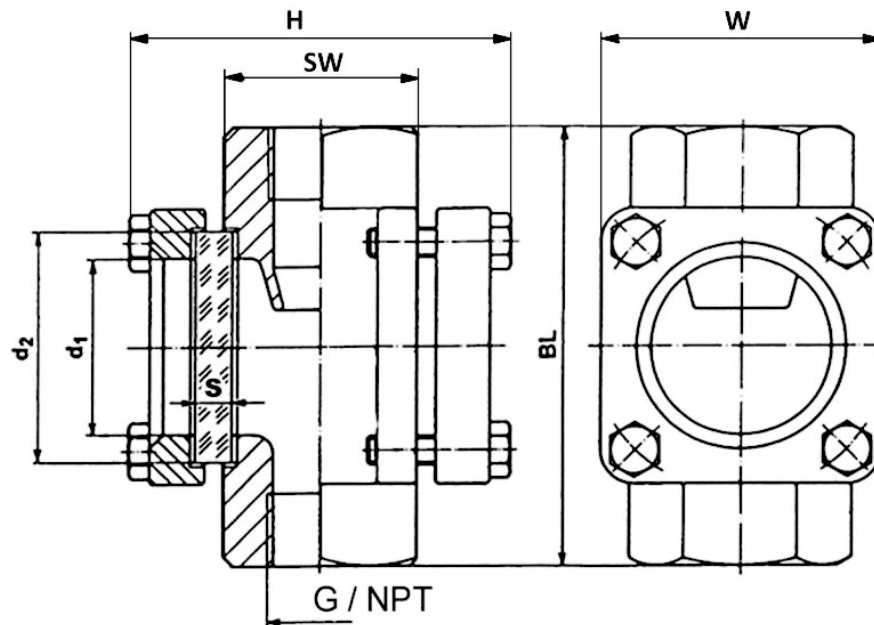
	DAK-11	DAK-13	DAK-12
Flap	stainless steel 1.4571		
Housing	grey cast iron GG 25 (EN-GJL-250) 0.6025	cast steel GS-C 25 1.0619	stainless steel 1.4408
Cover plates	grey cast iron GG 25 (EN-GJL-250) 0.6025	cast steel GS-C 25 1.0619	stainless steel 1.4408
Sight glass	soda-lime glass DIN 8902 (up to 150 °C) option: borosilicate glass DIN 7080 (up to 280 °C)		
Screws	zinc plated steel		stainless steel
Seals	graphite (PTFE or on request)		
Mounting position	horizontal or vertical with flow from bottom to top		
Operating pressure	16 bar (Option 25 bar or 40 bar for DAK-12... and DAK-13...)		

**Order Details** (Example: **DAK-1101H R08**)

Nominal size	DAK-11	DAK-13	DAK-12	Connection		Option
	Soda-lime glass, graphite-seal			G-thread	NPT-thread*	
1/4"	DAK-1101H..	DAK-1301H..	DAK-1201H..	R08	N08	Please add option letter to order number  Option 'B' = borosilicate glass, graphite-seal Option 'P' = 25 bar for DAK-12.. and DAK-13.. Option 'Q' = 40 bar for DAK-12.. and DAK-13..
3/8"	DAK-1102H..	DAK-1302H..	DAK-1202H..	R10	N10	
1/2"	DAK-1103H..	DAK-1303H..	DAK-1203H..	R15	N15	
3/4"	DAK-1104H..	DAK-1304H..	DAK-1204H..	R20	N20	
1"	DAK-1105H..	DAK-1305H..	DAK-1205H..	R25	N25	
1 1/4"	DAK-1106H..	DAK-1306H..	DAK-1206H..	R32	N32	
1 1/2"	DAK-1107H..	DAK-1307H..	DAK-1207H..	R40	N40	
2"	DAK-1108H..	DAK-1308H..	DAK-1208H..	R50	N50	

\* Not for DAK-11 grey cast iron instruments

## Dimensions [mm]



## Dimensions (Material grey cast iron) for pressure rating PN16

G	BL [mm]	H [mm]	SW [mm]	W [mm]	d1 [mm]	d2 [mm]	Glass thickness (S) at PN16 [mm]	Approximate weight DAT-11... [kg]
G ¼ G ⅜ G ½	100	110	36	70	32	45	10	2.2
G ¾ G1	120	120	46	85	45	63	10	3.4
G 1¼ G 1½	160	155	75	110	65	80	12	7.0
G 2	180	170	80	120	80	100	15	8.6

## Dimensions (Material cast steel or stainless steel) for pressure rating PN16 (PN 25/PN40 on request)

G	BL [mm]	H [mm]	SW [mm]	W [mm]	d1 [mm]	d2 [mm]	Glass thickness (S) at PN16 [mm]	Approximate weight DAT-12... DAT-13... [kg]
G ¼ G ⅜ G ½	100	110	36	70	32	45	10	2.2
G ¾ G1	120	120	46	85	45	63	10	3.4
G 1¼ G 1½	160	155	75	110	65	80	12	7.0
G 2	230	180	∅ 90	120	80	100	15	10.2



## Sight Glass with Flap

flanged connection · for liquids



measuring  
·  
monitoring  
·  
analysing

### DAK-2



- $p_{\max}$ : 40 bar;  $t_{\max}$ : 280 °C
- Connection: DN 15 ... DN 200  
ANSI flange on request
- Material:  
grey cast iron, cast steel,  
stainless steel

96



KOBOLD companies worldwide:

AUSTRALIA, AUSTRIA, BELGIUM, BULGARIA, CANADA, CHINA, CZECHIA, FRANCE, GERMANY, GREAT BRITAIN, HUNGARY, INDIA, INDONESIA, ITALY, MALAYSIA, MEXICO, NETHERLANDS, PERU, POLAND, REPUBLIC OF KOREA, RUSSIA, SPAIN, SWITZERLAND, THAILAND, TUNISIA, TURKEY, USA, VIETNAM

KOBOLD Messring GmbH  
Nordring 22-24  
D-65719 Hofheim/Ts.  
Head Office:  
+49(0)6192 299-0  
+49(0)6192 23398  
info.de@kobold.com  
www.kobold.com



**Materials/Mounting position**

	DAK-21	DAK-23	DAK-22
Flap	stainless steel 1.4571		
Housing	grey cast iron GG 25 (EN-GJL-250) 0.6025	cast steel GS-C 25 1.0619	stainless steel 1.4408
Cover plates	grey cast iron GG 25/ S235JRG2	cast steel GS-C 25/ S235JRG2	stainless steel 1.4408
Sight glass	soda-lime glass DIN 8902 (up to 150 °C) option: borosilicate glass DIN 7080 (up to 280 °C)		
Screws	zinc plated steel		stainless steel
Seals	graphite (PTFE or on request)		
Mounting position	horizontal or vertical, flow from bottom to top		
Operating pressure	16 bar (option 25 bar or 40 bar for DAK-22... and DAK-23...)		

**Order Details** (Example: **DAR-2201H F15**)

Nominal diameter	DAK-21	DAK-23	DAK-22	Connection		Option
	Soda-lime glass, graphite-sealing			Flange EN 1092-1	ANSI Flange (only on request)	
15	DAK-2101H..	DAK-2301H..	DAK-2201H..	F15	A15	Please add option letter to order number  Option 'B' = borosilicate glass, graphite-sealing Option 'P' = 25 bar for DAK-22.. and DAK-23.. Option 'Q' = 40 bar for DAK-22.. and DAK-23...
20	DAK-2102H..	DAK-2302H..	DAK-2202H..	F20	A20	
25	DAK-2103H..	DAK-2303H..	DAK-2203H..	F25	A25	
32	DAK-2104H..	DAK-2304H..	DAK-2204H..	F32	A32	
40	DAK-2105H..	DAK-2305H..	DAK-2205H..	F40	A40	
50	DAK-2106H..	DAK-2306H..	DAK-2206H..	F50	A50	
65	DAK-2107H..	DAK-2307H..	DAK-2207H..	F65	A65	
80	DAK-2108H..	DAK-2308H..	DAK-2208H..	F80	A80	
100	DAK-2109H..	DAK-2309H..	DAK-2209H..	F1H	A1H	
125	DAK-2110H..	DAK-2310H..	DAK-2210H..	F1Z	A1Z	
150*	DAK-2111H..	DAK-2311H..	DAK-2211H..	F1F	A1F	
200*	DAK-2112H..	DAK-2312H..	DAK-2212H..	F2H	A2H	

\* With soda-lime glass only PN 10, PN 16 with option 'B' possible

## Dimensions for pressure rating PN 16

DN	H [mm]	W [mm]	D [mm]	BL [mm]	d1 [mm]	d2 [mm]	Glass thickness (S) at PN 16 [mm]	Approx. weight [kg]	
								DAK-21..	DAK-22.. DAK-23..
15	95	70	95	130	32	45	10	3.6	3.6
20	95	70	105	150	32	45	10	4.0	4.0
25	115	85	115	160	48	63	10	6.0	6.3
32	115	85	140	180	48	63	10	7.0	7.4
40	135	110	150	200	65	80	12	10.0	10.6
50	160	120	165	230	80	100	15	13.2	14.4
65	185	Ø 175	185	290	80	100	15	22.1	24
80	210	Ø 190	200	310	100	125	20	29.9	31.6
100	250	Ø 210	220	350	125	150	25	38.4	41.7
125	265	Ø 235	250	400	150	175	25	47.0	47.6
150	290	Ø 260	285	480	175	200	25*	59.0	67.6
200	360	Ø 285	340	600	175	200	25*	98.0	118.0

\* With soda-lime glass only PN 10, PN 16 with option 'B' possible

